

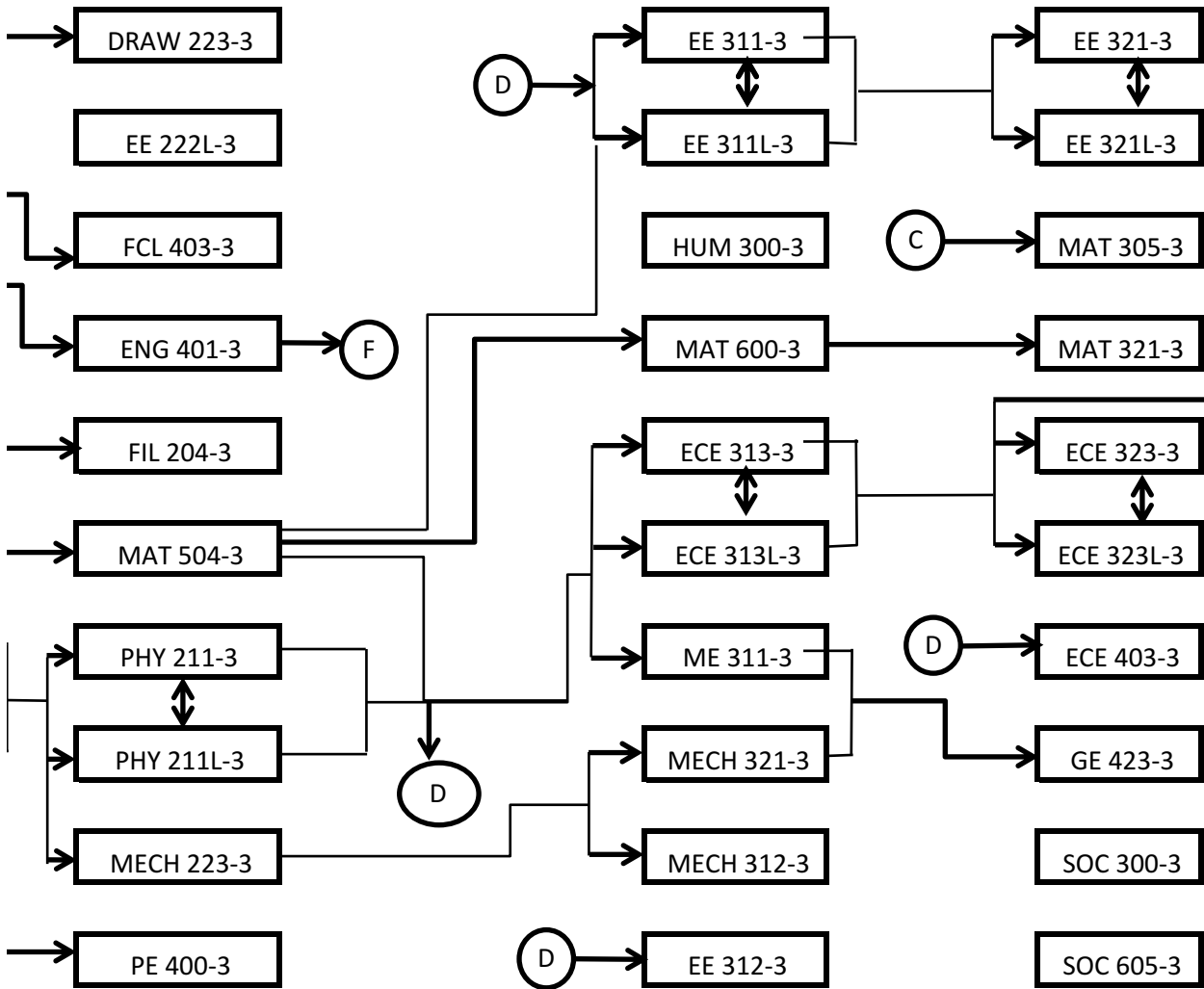
ID YEAR

Second Semester

First Semester

THIRD YEAR

Second Semes

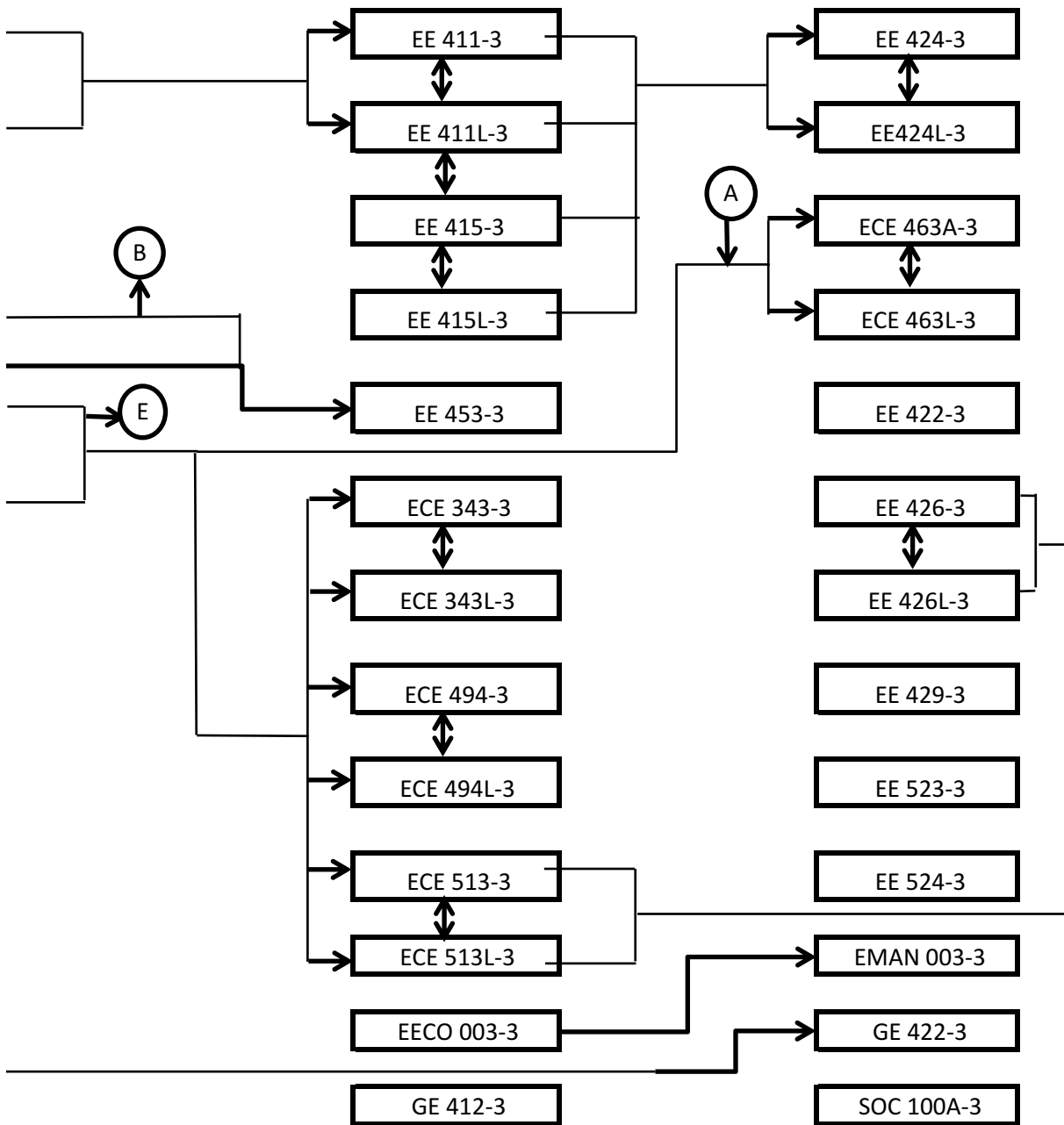


FOURTH YEAR

ster

First Semester

Second Semester

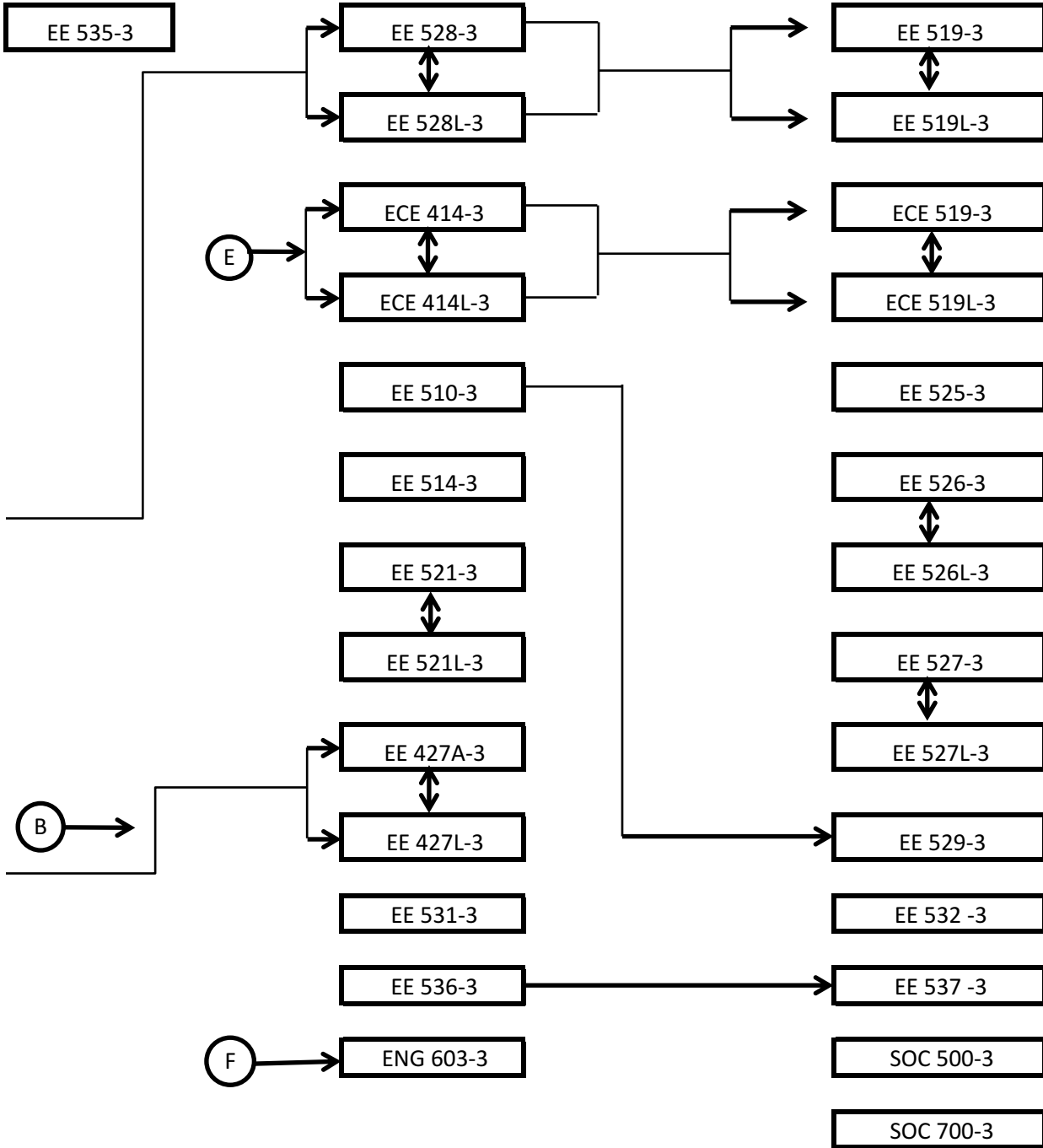


FOURTH YEAR  
Summer

First Semester

FIFTH YEAR

Second Semester





COLLEGE OF ENGINEERING

